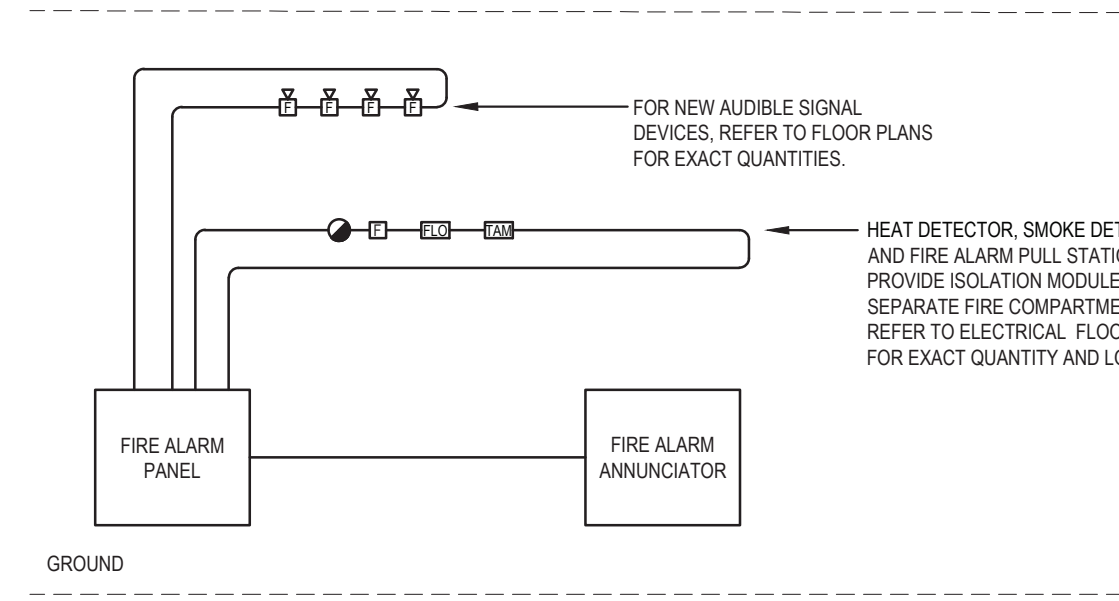


COPYRIGHT AND USE OF DOCUMENTS

COPYRIGHT FOR THE ARCHITECTS INSTRUMENTS OF SERVICE BELONGS TO THE ARCHITECT SUBSIDIARIES OR DISTRIBUTION OF THE ARCHITECTS INSTRUMENTS OF SERVICE, INCLUDING ALL SOFTWARE AND ELECTRONIC MEDIA TO MEET OFFICIAL REGULATORY REQUIREMENTS OR FOR OTHER PURPOSES IN CONNECTION WITH THE PROJECT IS NOT TO BE CONSIDERED REPRODUCTION OR DERIVATION OF THE ARCHITECTS INSTRUMENTS OF SERVICE. THE CLIENT MAY ARCHITECTS INSTRUMENTS OF SERVICE FOR INFORMATION AND REFERENCE IN CONNECTION WITH THE CLIENTS USE AND OCCUPANCY OF THE PROJECT. COPIES MAY ONLY BE USED FOR THE PURPOSES INTENDED AND FOR A ONE-TIME USE, ON THE SAME USE, AND ON THE SAME PROJECT, BY THE CLIENT ONLY AND MAY NOT BE OFFERED FOR SALE OR TRANSFER WITHOUT THE EXPRESS WRITTEN CONSENT OF THE ARCHITECT. EXCEPT FOR REFERENCE PURPOSES, THE ARCHITECTS INSTRUMENTS OF SERVICE, INCLUDING ALL ELECTRONIC OR DIGITAL FILES AND INFORMATION, SHALL NOT BE USED FOR RENOVATIONS, ADDITIONS, OR ALTERATIONS TO THE PROJECT OR ON ANY OTHER PROJECT WITHOUT A WRITTEN LICENSE FROM THE ARCHITECT FOR THE LIMITED USE OF THE DOCUMENTS.

INSTRUMENTS OF SERVICE ARE THE DESIGN AND DRAWINGS, SPECIFICATIONS AND REPORTS PREPARED BY OR ON BEHALF OF THE ARCHITECT INCLUDING BUT NOT LIMITED TO PLANS, SKETCHES, DRAWINGS, GRAPHIC REPRESENTATIONS AND SPECIFICATIONS, COMPUTER GENERATED DESIGNS AND MATERIAL.



1 FIRE ALARM RISER DIAGRAM
E9.0 NOT TO SCALE

FIRE ALARM ZONE SCHEDULE

FULL FUNCTION FIA ANNUNCIATOR C/W THE FOLLOWING FUNCTIONS:
POWER "ON", ALARM, ALARM SILENCE, ZONE FAULT, GROUND FAULT, BATTERY FAULT, SILENT TEST "ON", ANCIALLY DISCONNECTED, TROUBLE, NORMAL, DRILL AND SMART SWITCH FOR FULL PANEL FUNCTIONS CONTROL.
FOLLOWING SUPPLIER APPROVED: CHUBBEDWARDS, SIMPLEX, NOTIFIER, MIRCOC, HONEYWELL & SIEMENS

SINGLE STAGE ADDRESSABLE FIRE ALARM SYSTEM REQUIRED

THE ELECTRICAL CONTRACTOR SHALL ALLOW IN HIS TENDER COST FOR ALL REASONABLE ASSISTANCE BY THE FIRE ALARM MANUFACTURER DURING PLANNING AND INSTALLATION OF THE FIRE ALARM SYSTEM. THIS TO INCLUDE A COMPLETE RISER DIAGRAM FOR THIS PROJECT, LAYOUT OF THE FIRE ALARM & ANNUNCIATOR PANELS, SEPARATE WIRING DIAGRAMS SHOWING INTERCONNECTIONS AND A WRITTEN SEQUENCE OF OPERATION OF THE SYSTEM. THE COMPLETE SUBMISSION MUST BE TO THE SATISFACTION AND ACCEPTANCE OF THE AUTHORITIES HAVING JURISDICTION. CATALOG OUT SHEETS ONLY FROM THE MANUFACTURER NOT ACCEPTABLE FOR THE ABOVE SPECIFIC REQUIREMENTS.

FOR EVERY FIRE COMPARTMENT, ALARM ZONE & TROUBLE INDICATION REQUIRED AS UNDER:
ALARM:
1 SMOKE DETECTORS
2 HEAT DETECTORS
3 PULL STATION

FIRE ALARM ZONE

ZONE #	AREA	DEVICE
1	FIRE COMPARTMENT 1	SMOKE / MANUAL STATION
2	FIRE COMPARTMENT 1	SPRINKLER FLOW
3	EXTERIOR CANOPY DRY SYSTEM	SPRINKLER FLOW

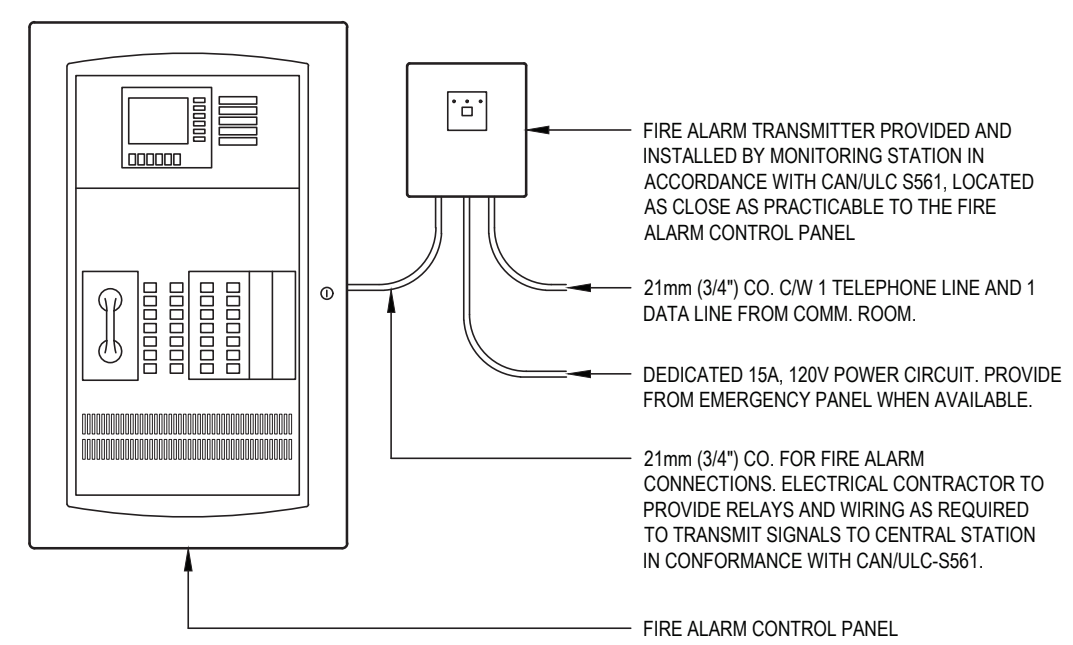
SUPERVISORY ZONE

ZONE #	AREA	DEVICE
1	FIRE COMPARTMENT 1	TAMPER
2	SPRINKLER HEAT TRACE	SUPERVISORY
3	EXTERIOR CANOPY DRY SYSTEM	TAMPER

FIRE ALARM NOTES:

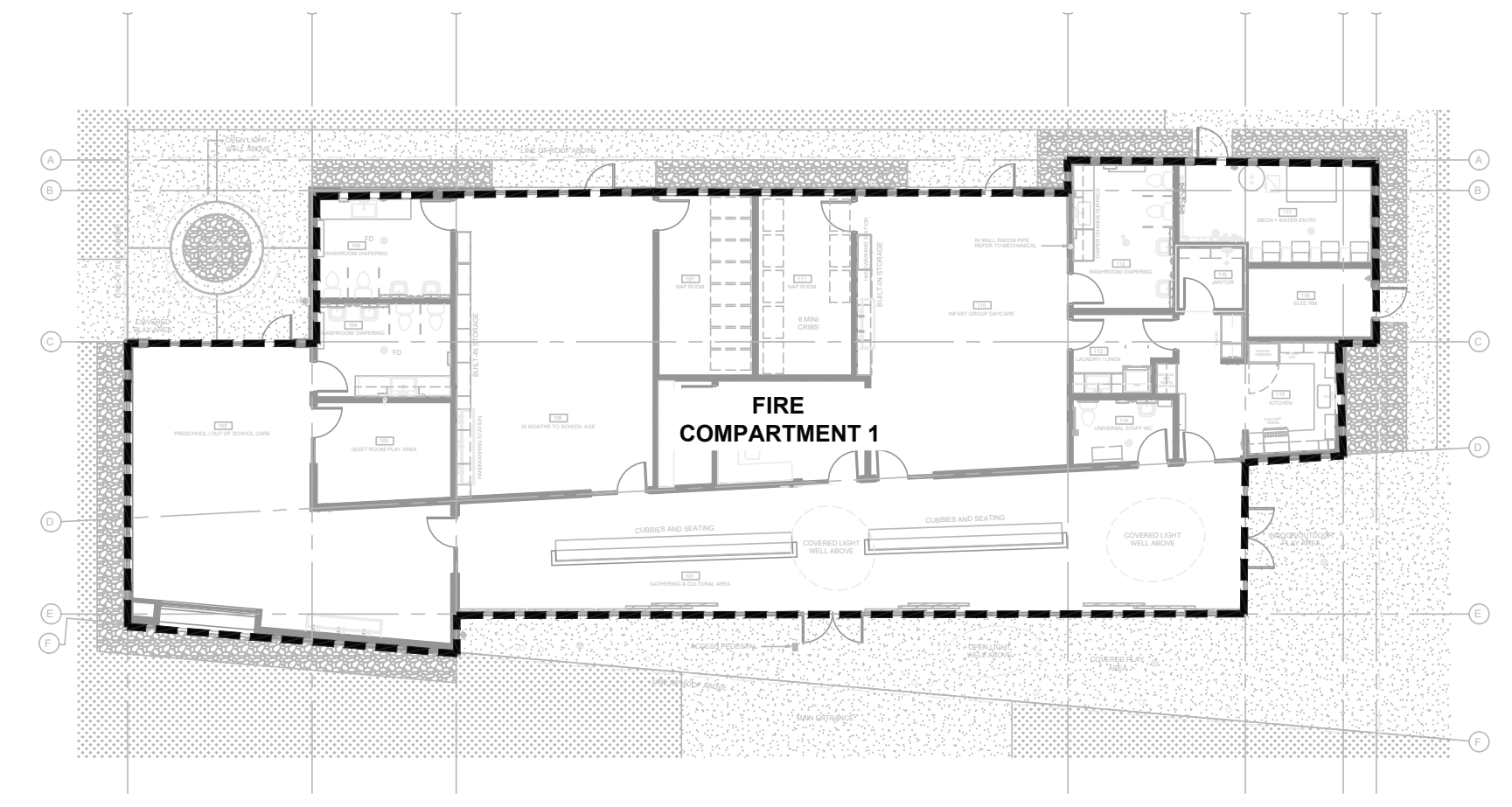
- THE FIRE ALARM DIAGRAM IS PROVIDED TO INDICATE DESIGN INTENT AND DOES NOT NECESSARILY SHOW ALL THE REQUIRED COMPONENTS FOR THIS PROJECT.
- ALL FIRE ALARM WIRING TO BE IN CONDUIT.
- REFER TO FLOOR PLANS FOR QUANTITY OF DEVICES.
- AN ADDRESSABLE FIRE ALARM & DETECTION SYSTEM IS REQUIRED.
- THIS BUILDING DOES NOT HAVE A SPRINKLER SYSTEM.

3 FIRE ALARM ZONE SCHEDULE
E9.0 NOT TO SCALE



- NOTES:
- SIGNALS TO THE FIRE DEPARTMENT SHALL BE PROVIDED IN CONFORMANCE WITH CANULC-S561. THE FIRE ALARM TRANSMITTER IS PART OF THE CENTRAL STATION EQUIPMENT AS DEFINED IN CANULC-S561 AND MUST BE SUPPLIED AND INSTALLED BY THE MONITORING COMPANY. THE CENTRAL STATION MUST BE LISTED BY THE IULC FOR MONITORING AND INSTALLATION.
 - ALL FIRE ALARM, POWER, COMMUNICATIONS, AND CONDUIT INSTALLATIONS INDICATED ARE BY THE ELECTRICAL CONTRACTOR.
 - SELECTING THE MONITORING COMPANY, ARRANGING FOR THE SUPPLY AND INSTALLATION OF THE FIRE ALARM TRANSMITTER AND THE SET-UP OF THE SYSTEM MONITORING IS BY THE BUILDING OWNER. THE ELECTRICAL CONTRACTOR SHALL COORDINATE WITH THE OWNER'S SELECTED PROVIDER TO FACILITATE ALL REQUIREMENTS FOR SIGNAL TRANSMISSION.
 - PROVIDE A IULC CERTIFICATE "CENTRAL STATION FIRE PROTECTIVE SIGNALING SERVICE" AS A PROJECT CLOSE-OUT DOCUMENT FOR SUBSTANTIAL COMPLETION.
 - TELEPHONE AND DATA LINES ARE SHOWN AS A MINIMUM REQUIREMENT FOR COSTING PURPOSES. CONFIRM EXACT COMMUNICATION REQUIREMENTS WITH THE CENTRAL STATION AND MAKE NECESSARY PROVISIONS AS PART OF THIS CONTRACT. CELLULAR BACKUP SYSTEM SHALL BE PROVIDED BY THE CENTRAL STATION IF REQUIRED.
 - THIS DETAIL IS FOR DIAGRAMMATIC REFERENCE ONLY. FINAL EQUIPMENT LOCATIONS TO BE COORDINATED ON SITE BASED ON SPECIFIC PROJECT REQUIREMENTS.

2 FIRE ALARM TRANSMITTER DETAIL
E9.0 NOT TO SCALE



4 FIRE ALARM ZONE KEYPLAN
E9.0 NOT TO SCALE

1 08.16.2023 ISSUED FOR TENDER

NO. DATE DESCRIPTION

REVISIONS

DESIGN BY:

CHECK BY:

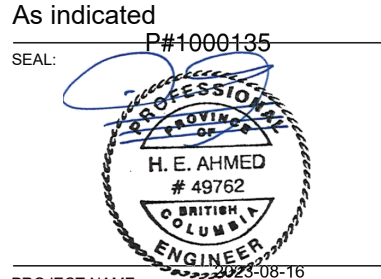
DRAWN BY:

DRAWING DATE:

SCALE:

As indicated

SEAL: P#1000135



PROJECT NAME:

LAX KW'ALAAMS DAYCARE

CLIENT:

LAX KW'ALAAMS BAND

PROJECT ADDRESS:

LOT 345-347 VICTORIA STREET, LAX KW'ALAAMS, BC V0V 1H0

DRAWING TITLE:

FIRE ALARM DETAILS

REVISION NO.:

PROJECT NO. 2-22-284

DATE: 08/02/2024 4:15:40 PM

E9.0